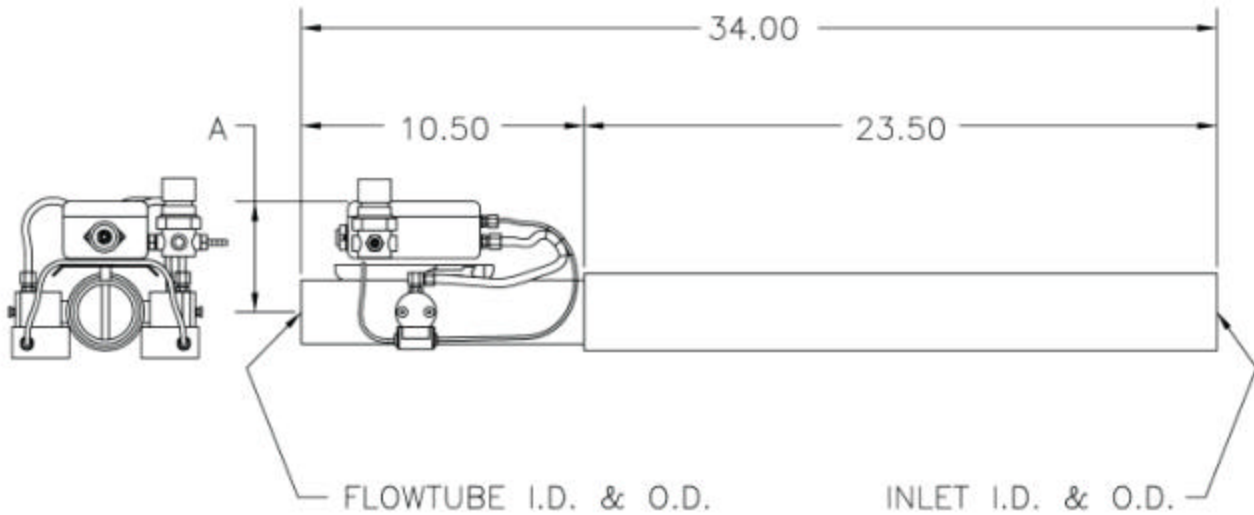




VE500 Series Exhaust Flowmeters Dimensional Drawing



MODEL	A	FLOWTUBE		INLET	
		I.D.	O.D.	I.D.	O.D.
VE502	3.98 (101.09)	2.067 (52.50)	2.375 (60.32)	2.635 (66.92)	2.875 (73.02)
VE503	4.55 (115.57)	3.068 (77.92)	3.500 (88.9)	3.760 (95.50)	4.000 (101.6)

All dimensions are in inches (mm)